

Trunnion Mounted Ball Valves

Trunnion mounted ball valves are suitable for high pressure applications with its additional mechanical anchoring of the ball. The ball is fixed and the seat rings are floating free to move along the valve axis. As the pressure increase, the fluid power pushes the seat rings against the ball and at low pressures the sealing is the thrust of the springs acting on the seat rings.

Standard compliance

Design compliance : API 6D

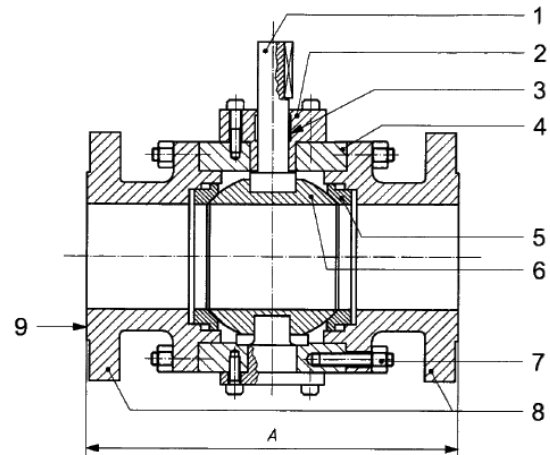
Face to Face : API 6D /ASME B16.10

End Flange : ASME B16.5 /ASME B16.47

Testing : API 6D / API 598

Size ranges

Size (NPS)	Class		
	150	300	600
2	✓	✓	✓
3	✓	✓	✓
4	✓	✓	✓
6	✓	✓	✓
8	✓	✓	✓
10	✓	✓	✓
12	✓	✓	✓
14	✓	✓	✓
16	✓	✓	✓
18	✓	✓	✓
20	✓	✓	✓
24	✓	✓	✓
28	✓	✓	✓
30	✓	✓	✓
32	✓	✓	✓
36	✓	✓	✓
40	✓	✓	✓



Item No	Description
1	Stem
2	Bonnet
3	Bearing
4	Body
5	Seat ring
6	Ball
7	Nut
8	End cap
9	Body

Trunnion Mounted Ball Valves

Dimensions

Size (NPS)	End to End (mm)		
	150	300	600
2	178	216	292
2½	191	241	330
3	203	283	356
4	229	305	432
6	394	403	559
8	457	502	660
10	533	568	787
12	610	648	838
14	686	762	889
16	762	838	991
18	864	914	1092
20	914	991	1194
24	1067	1143	1397
26	1143	1245	1448
28	1245	1346	1549
30	1295	1397	1651
32	1372	1524	1778
34	1473	1626	1930
36	1524	1727	2083

Salient Features

1. Double block
2. Ease of operation
3. Better sealing
4. Fire safe design