

Floating Ball Valves

Bolted Two Piece Floating Ball Valves

Capable of handling a wide range of fluids both liquid and gaseous form. Designed to work effectively in low, medium and high pressure. Produced from own foundries quality and reliability is assured right from raw material stage. In house cyclic testing facility to ensure long term trouble free service. The valves are supplied in both soft and metal seated types.

Standard compliance

Design compliance : ASME B16.34 / API 6D

Face to Face : API 6D/ ASME B16.10

End Flange : ASME /ANSI B16.5.

Testing : API 6D/API 598

Pressure Temperature Rating: SHELL -ASME B16.34, VALVE- ISO 17292

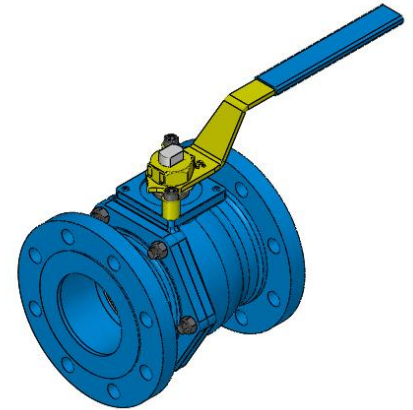
Bore: Standard ; Full Bore. Optional; reduced bore

Fire safety Feature (Design conforms to):API607 / ISO 10497

Fugitive Emission(Design conformrs to): ISO 15848

NACE: MR 0175 ISO 15156

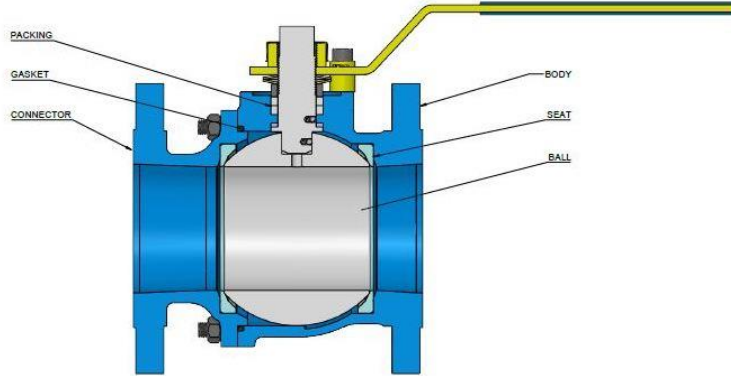
Top pad mounting: ISO 5211



Size ranges

| Size (NPS) | Class | | |
|------------|-------|-----|-----|
| | 150 | 300 | 600 |
| 1 / 2 | ✓ | ✓ | ✓ |
| 3 / 4 | ✓ | ✓ | ✓ |
| 1 | ✓ | ✓ | ✓ |
| 1 1 / 2 | ✓ | ✓ | ✓ |
| 2 | ✓ | ✓ | ✓ |
| 3 | ✓ | ✓ | ✓ |
| 4 | ✓ | ✓ | ✓ |
| 6 | ✓ | ✓ | X |
| 8 | ✓ | ✓ | X |
| 10 | ✓ | X | X |

Floating Ball Valves



| Component | Material | |
|---|-----------------------------|-------------------|
| Body | ASTM A216 Gr WCB | ASTM Gr A351 CF8M |
| Connector | ASTM A216 Gr WCB | ASTM Gr A351 CF8M |
| Seat | PTFE/RPTFE | |
| Ball | SS316 | |
| Stem | SS316 | |
| Gasket | Graphite | |
| Gland packing | Carbon/graphite filled PTFE | |
| Lever | Ductile iron | |
| <i>Other material combination available on request</i> | | |
| <i>Detailed BOM will be provided with firm quotation</i> | | |